

# ContourLine 24" Combi-Steam Oven

DGC 6700-1 XL



# ContourLine Combi-Steam Oven

## DGC 6700-1 XL



### DGC 6700-1 XL

#### Features:

- M Touch innovative and revolutionary controls are both easy-to-operate and navigate. An intuitive swipe of the screen will quickly lead you to your desired selection
- MultiSteam technology delivers powerful external steam generation and optimum steam distribution via 6 inlet ports
- Wired roast probe for perfect roasting
- 3-in-1 appliance
  1. True European convection oven
  2. Steam oven
  3. Combination of steam and convection oven
- MasterChef and MasterChef Gourmet menus offer over 150 food types to cook to perfection
- XL stainless steel cavity
- Lift up control panel conceals water and condensate container (both containers are dishwasher-safe)
- ComfortSwivel handle moves with the motion of your wrist, creating a more ergonomic feel when opening and closing the oven door



#### SPECIFICATIONS

##### DGC 6700-1 XL — Item 23670074USA

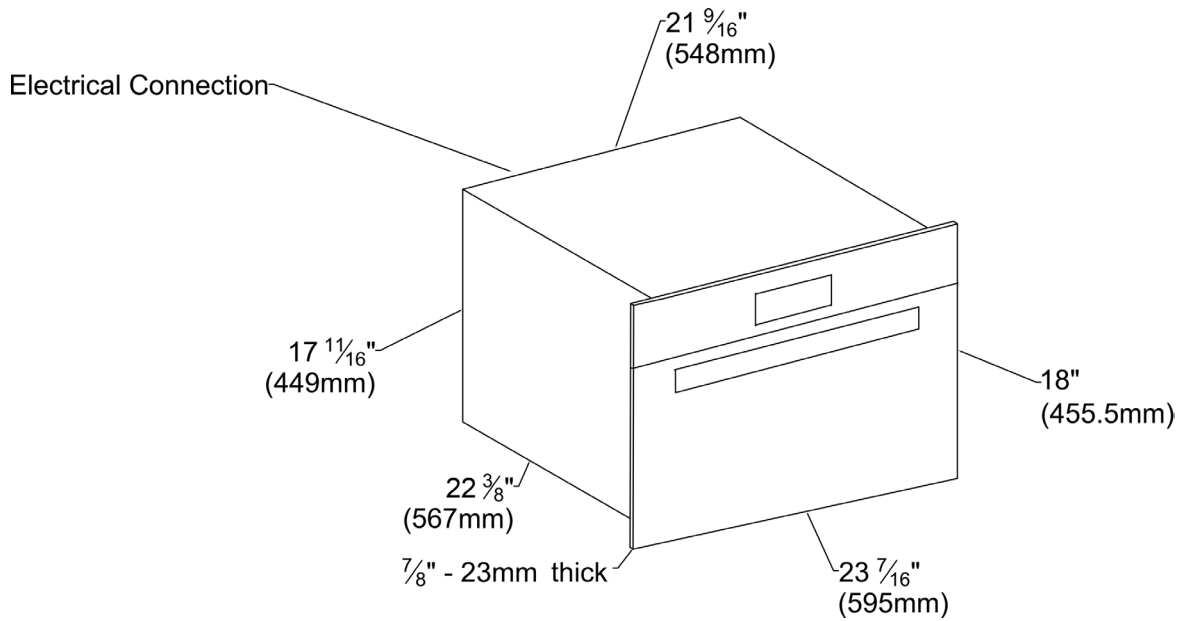
Overall Fascia Dimensions	23 <sup>7</sup> / <sub>16</sub> " (595 mm) W x 18" (455.5 mm) H x 7 <sup>7</sup> / <sub>8</sub> " (23 mm) D
Overall Unit Width - Excluding Fascia Dimension	21 <sup>9</sup> / <sub>16</sub> " (548 mm)
Overall Unit Height - Excluding Fascia Dimension	17 <sup>11</sup> / <sub>16</sub> " (449 mm)
Overall Unit Depth - Excluding Fascia Dimension	22 <sup>3</sup> / <sub>8</sub> " (567 mm)
Oven Door Clearance	12 <sup>9</sup> / <sub>16</sub> " (319 mm)
<b>Built-In</b>	
Minimum Opening Width	22 <sup>1</sup> / <sub>16</sub> " (560 mm)
Minimum Opening Height	17 <sup>11</sup> / <sub>16</sub> " (450 mm)
Minimum Opening Depth	22 <sup>1</sup> / <sub>2</sub> " (572 mm)
Minimum Base Support	60 lbs
Additional Cut-Outs Required	Venting cut-out required 19 <sup>11</sup> / <sub>16</sub> " x 1 <sup>9</sup> / <sub>16</sub> " (500 x 40 mm)
<b>Electrical</b>	
Electrical Requirements	208V/240V, 60Hz, 20A
Power Rating	240V - 3.7 kw 208V - 3.2 kw
Power Cord	Molded plug - NEMA 6-20, power cord 5 ft (1.5 m)
<b>Shipping</b>	
Shipping Weight	65 lbs
Shipping Dimensions	26 <sup>7</sup> / <sub>32</sub> " (666 mm) W x 21 <sup>5</sup> / <sub>8</sub> " (549 mm) H x 23 <sup>1</sup> / <sub>16</sub> " (535 mm) D
<b>Support</b>	
Call Miele	(800) 999-1360
Miele Website	www.mieleusa.com
20/20 Link	2020technologies.com

# ContourLine Combi-Steam Oven DGC 6700-1 XL

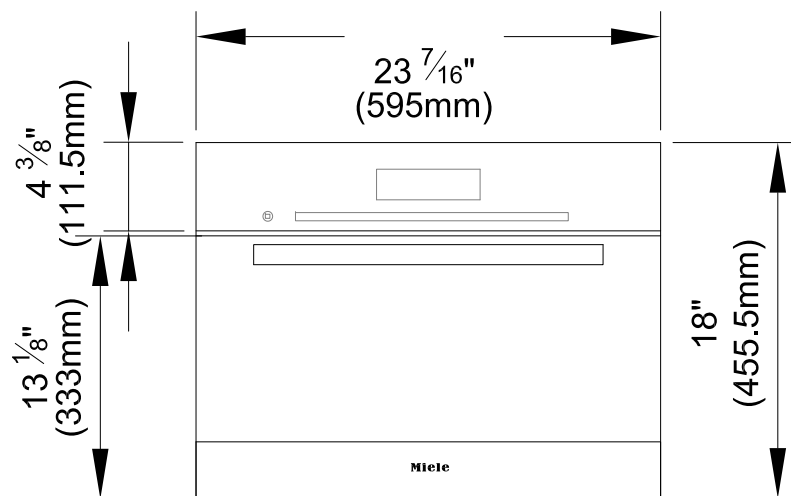


## PRODUCT VIEWS

Isometric View



Front View

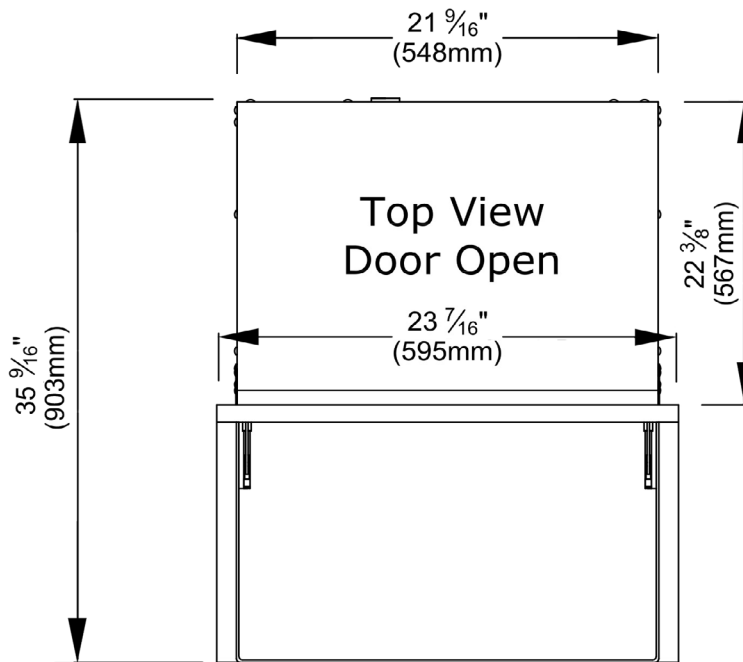


# ContourLine Combi-Steam Oven DGC 6700-1 XL

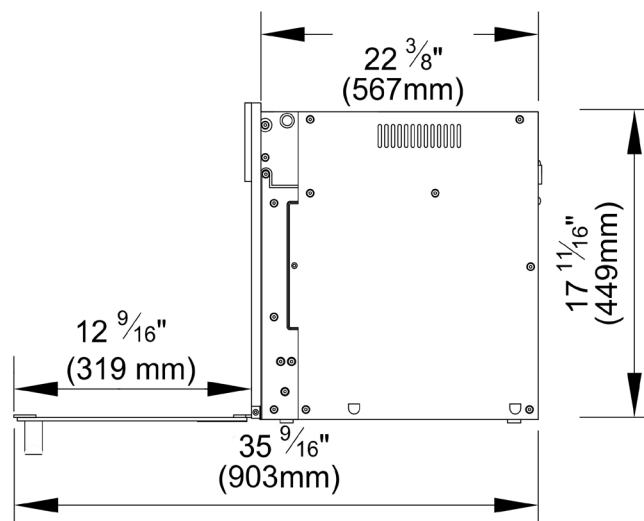


## INSTALLATION SPECIFICATIONS

Top View, Door Open

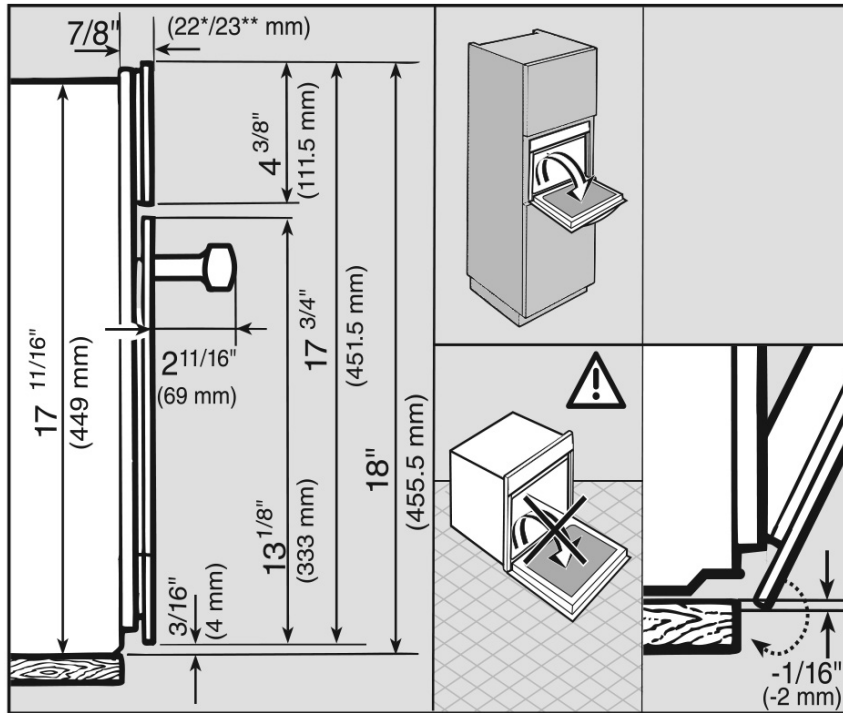


Side View, Door Open



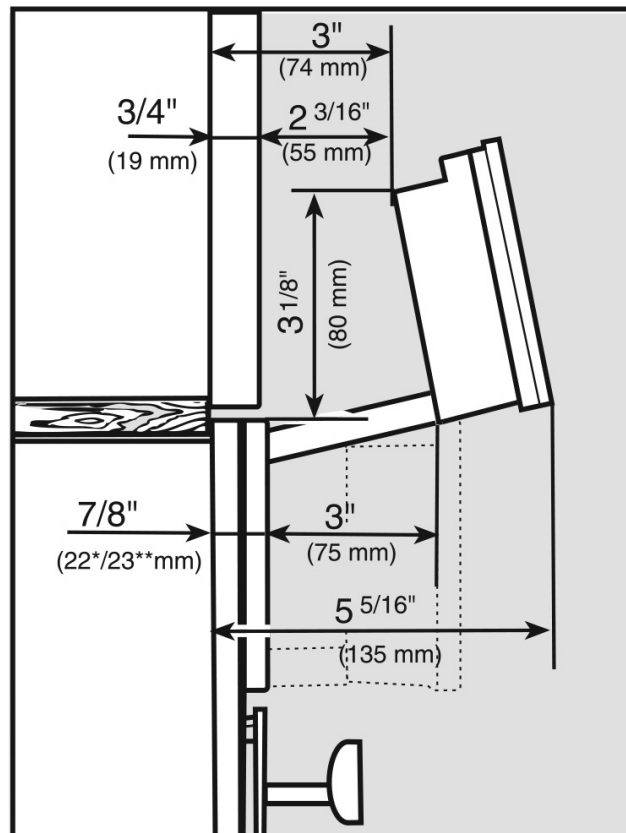
## INSTALLATION SPECIFICATIONS

Door Swing and Face Detail



- \* Appliances with glass front
- \*\* Appliances with metal front

Control Panel Swivel View



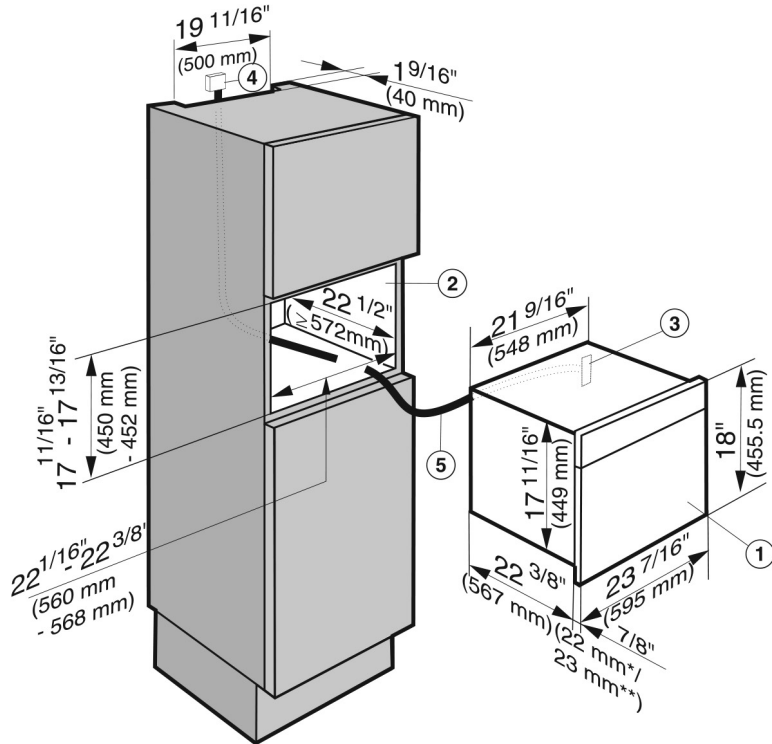
- \* Appliances with glass front
- \*\* Appliances with metal front

# ContourLine Combi-Steam Oven DGC 6700-1 XL



## INSTALLATION SPECIFICATIONS

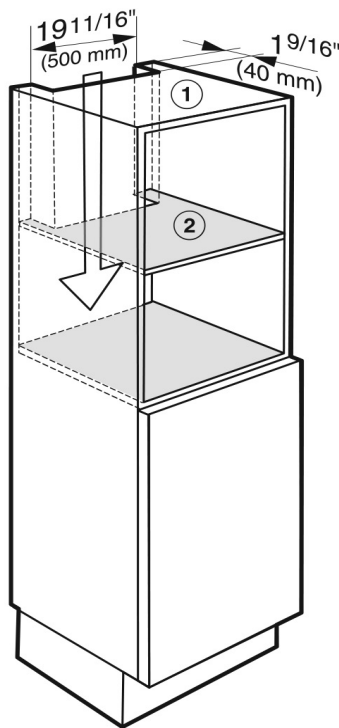
### Tall Cabinet Installation



- \* Appliances with glass front
- \*\* Appliances with metal front

- ① Combi Steam Oven
- ② Installation niche
- ③ Power supply to the appliance
- ④ Recommended location for electrical connection
- ⑤ Power cord

### Tall Cabinet Installation — Venting Requirements



To ensure that the Combi Steam Oven has adequate ventilation, the following cut-outs measuring 19 1/16" x 1 9/16" (500 x 40 mm) must be made:

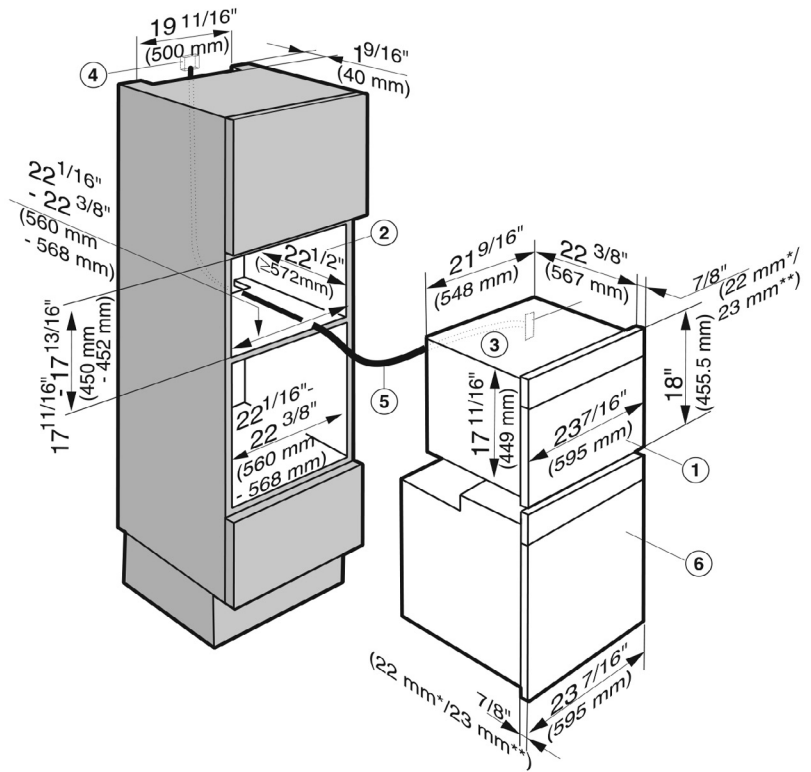
- ① in the top of the cabinet
- ② in the center shelf above the installation niche

# ContourLine Combi-Steam Oven DGC 6700-1 XL



## INSTALLATION SPECIFICATIONS

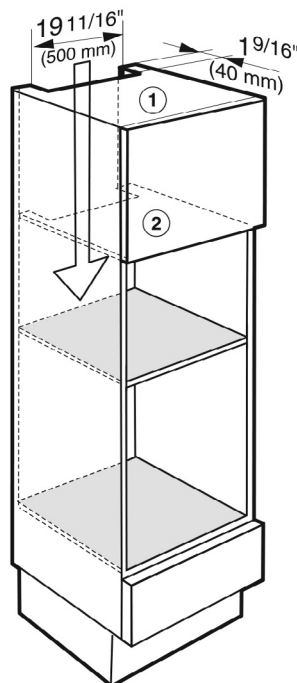
Installation Above 24" Oven



\* Appliances with glass front  
\*\* Appliances with metal front

- ① Steam oven
- ② Niche
- ③ Pass-through for the power cord
- ④ Recommended position for electrical connection
- ⑤ Power cord
- ⑥ Oven

Installation Above 24" Oven —  
Venting Requirements



To ensure that the Combi Steam Oven has adequate ventilation, the following cut-outs measuring 19 11/16" x 1 9/16" (500 x 40 mm) must be made:

- ① in the top of the cabinet
- ② in the center shelf above the installation niche

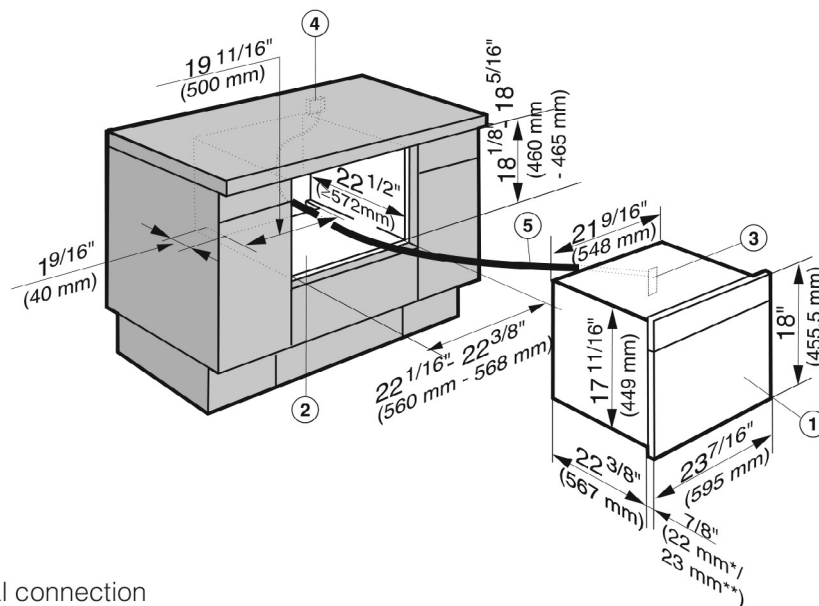
For the oven ventilation cut-out, please see the information in the oven installation instructions.

# ContourLine Combi-Steam Oven DGC 6700-1 XL



## INSTALLATION SPECIFICATIONS

### Installation Undercounter



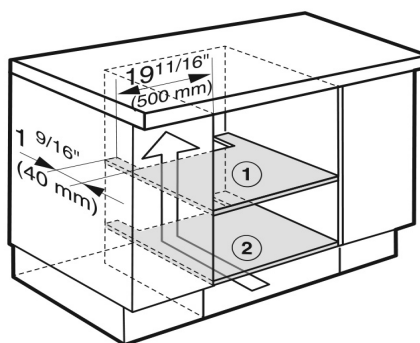
- ① Combi Steam Oven
- ② Installation niche
- ③ Power supply to the appliance
- ④ Recommended location for electrical connection
- ⑤ Power cord

\* Appliances with glass front

\*\* Appliances with metal front

If the appliance is to be installed under a cooktop, observe the instructions for installation of the cooktop and its installation height.

### Installation Undercounter – Venting Requirements



To ensure that the Combi Steam Oven has adequate ventilation, the following cut-outs measuring 19 11/16" x 1 9/16" (500 x 40 mm) must be made:

- ① in the top of the cabinet
- ② in the center shelf above the installation niche

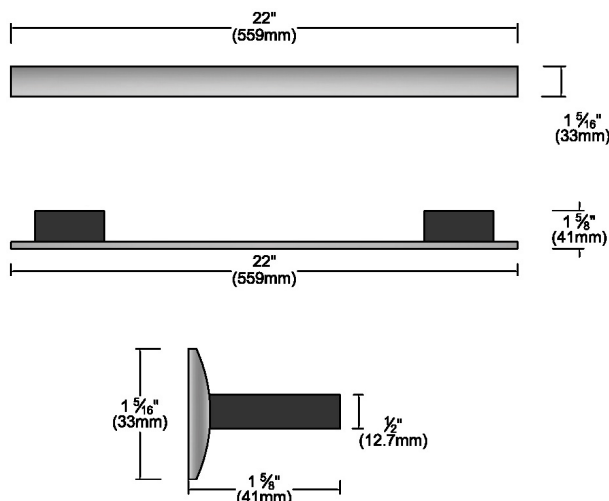


# ContourLine Combi-Steam Oven DGC 6700-1 XL



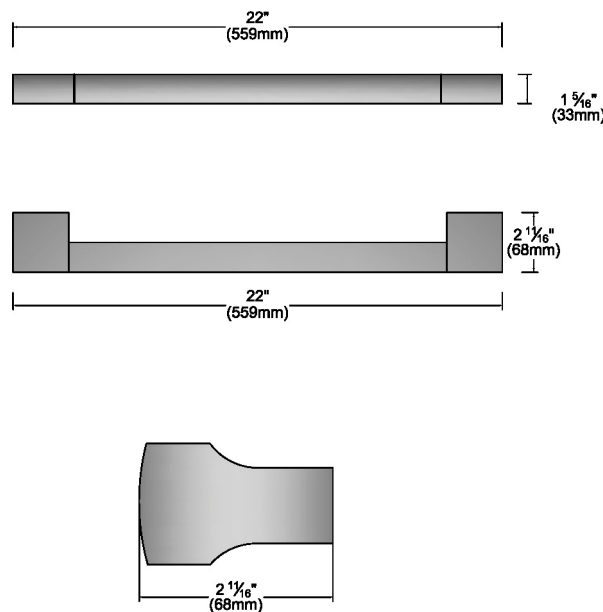
## HANDLE DETAILS

All Miele Signature And PureLine  
Handle Dimensions



Please note hinges may require adjusting or replacing when changing from a ContourLine Handle to a PureLine or Miele Signature Handle.

All ContourLine Handle  
Dimensions



Please note hinges may require adjusting or replacing when changing from a PureLine or Miele Signature Handle to a ContourLine Handle.